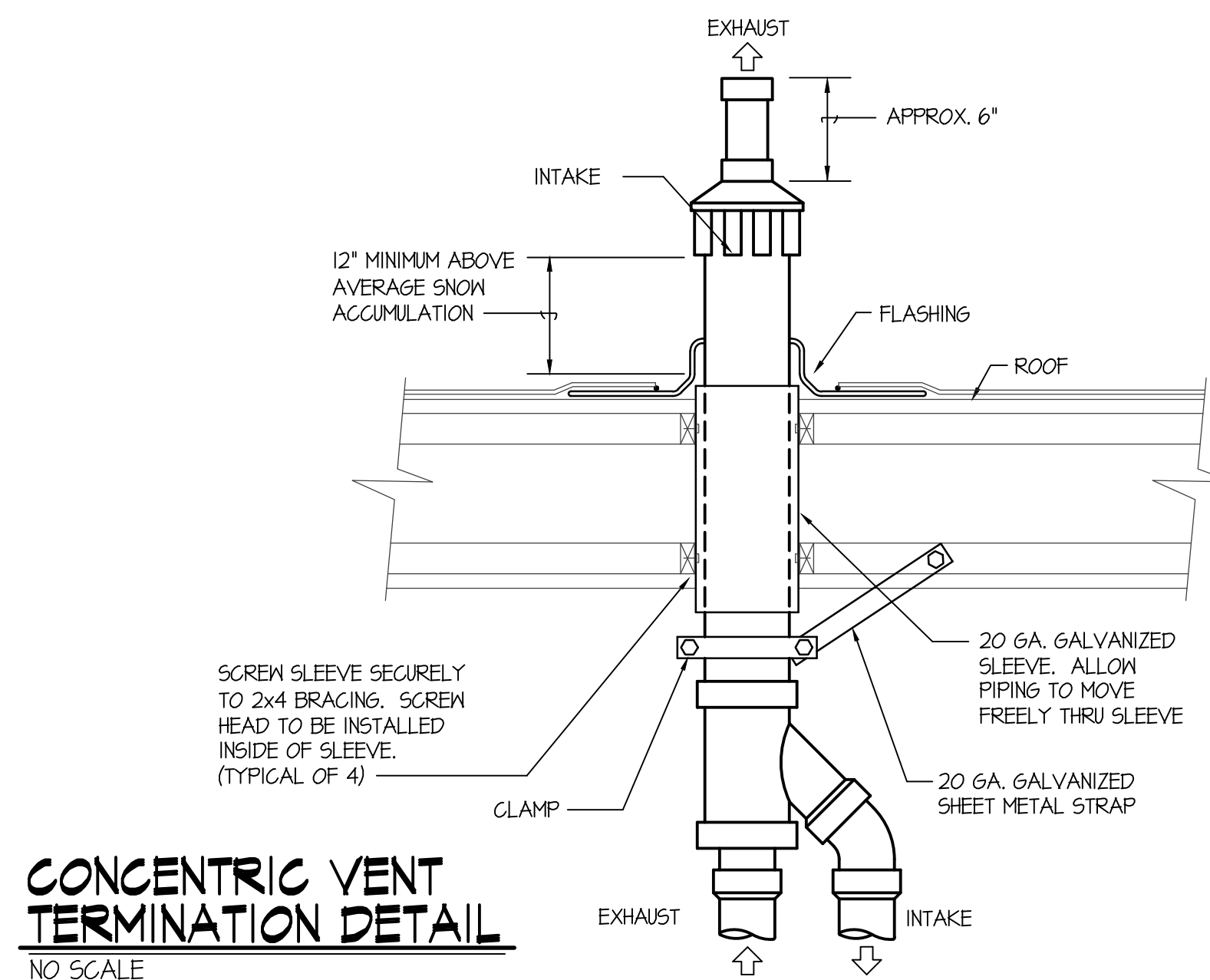


CONCENTRIC VENT TERMINATION DETAIL
NO SCALE



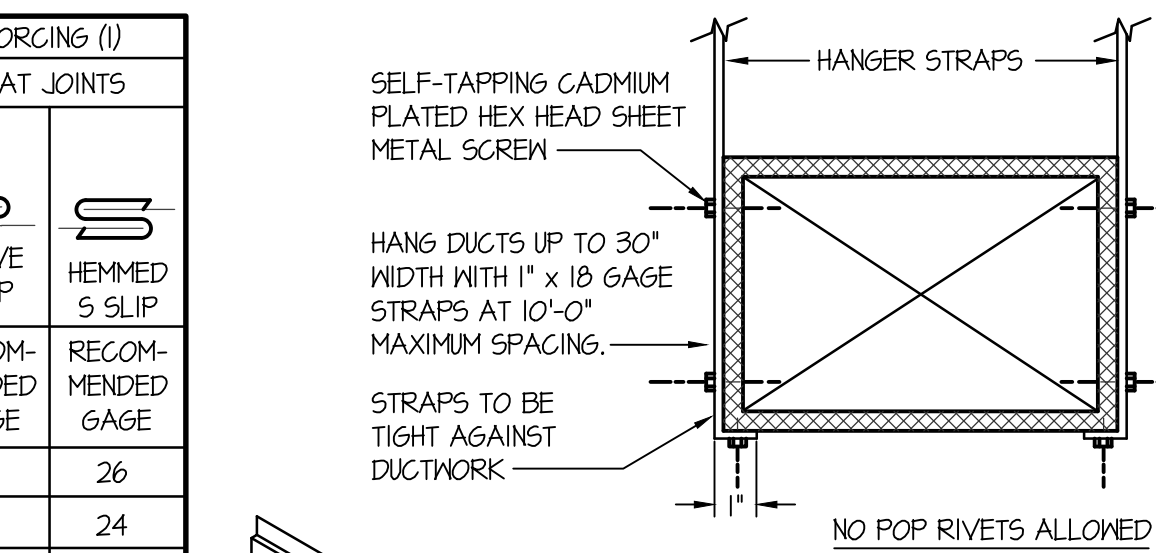
CONCENTRIC VENT TERMINATION DETAIL
NO SCALE

DIMENSION OF LONGEST SIDE, INCHES	SHEET METAL GAGE (ALL FOUR SIDES)	TRANSVERSE REINFORCING (1)	
		MINIMUM REINFORCING ANGLE SIZE AND MAXIMUM LONGITUDINAL SPACING BETWEEN TRANSVERSE JOINTS 4' OR INTERMEDIATE REINFORCING	AT JOINTS
UP THRU 12	26	NONE REQUIRED	26
13 - 18	24	NONE REQUIRED	24
19 - 30	24	1"x1x1/8" @ 60 IN	24

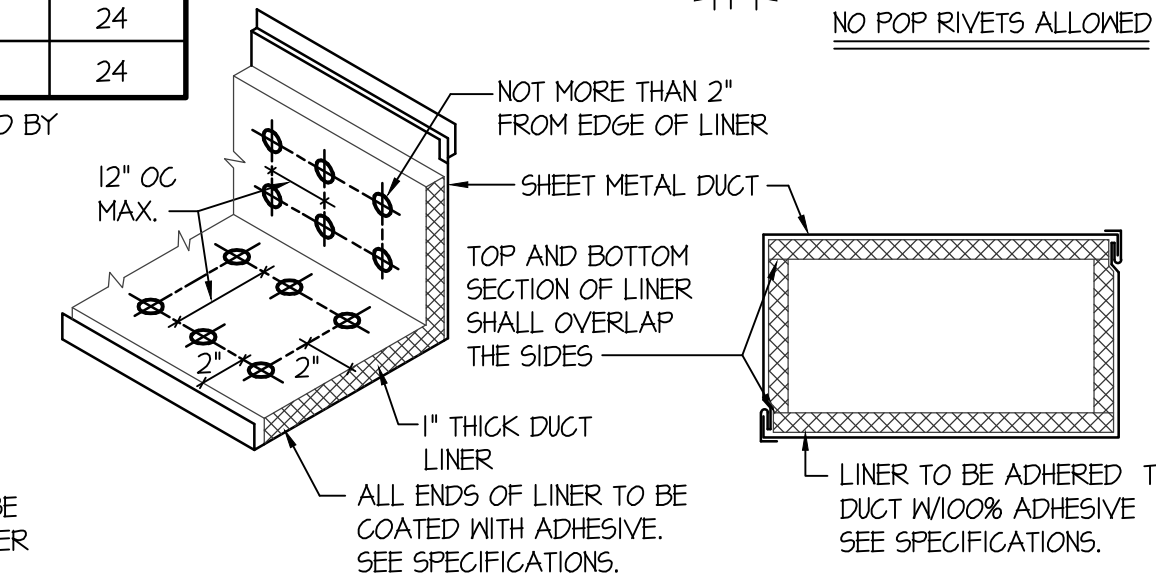
(1) TRANSVERSE REINFORCING SIZE IS DETERMINED BY DIMENSION OF SIDE TO WHICH ANGLE IS APPLIED.

METAL FASTENERS - O-MARK INSULTINGS, DURO DTYNE FASTENERS OR GRIPNAILS.

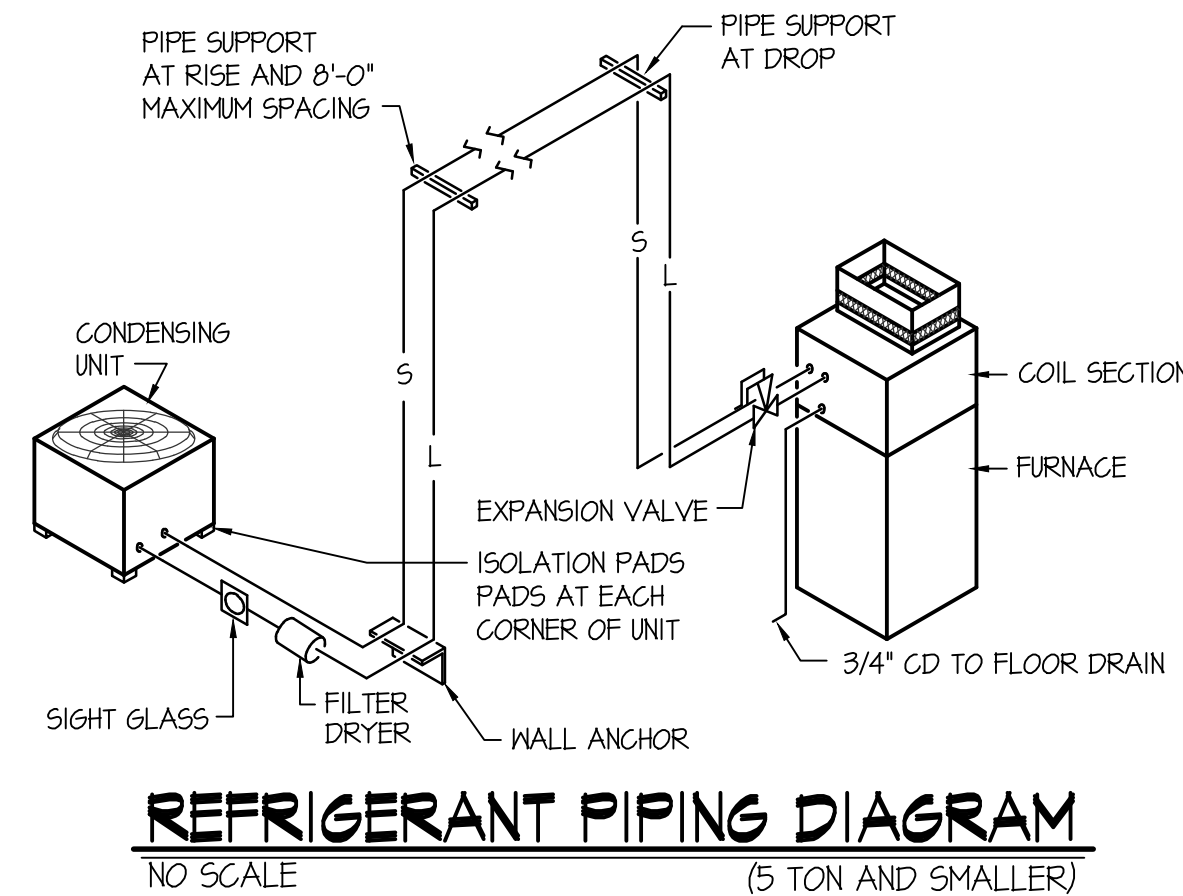
GRIP NAILS SHALL BE INSTALLED BY GRIPNAIL AIR HAMMER OR BY AUTOMATIC FASTENER EQUIP.



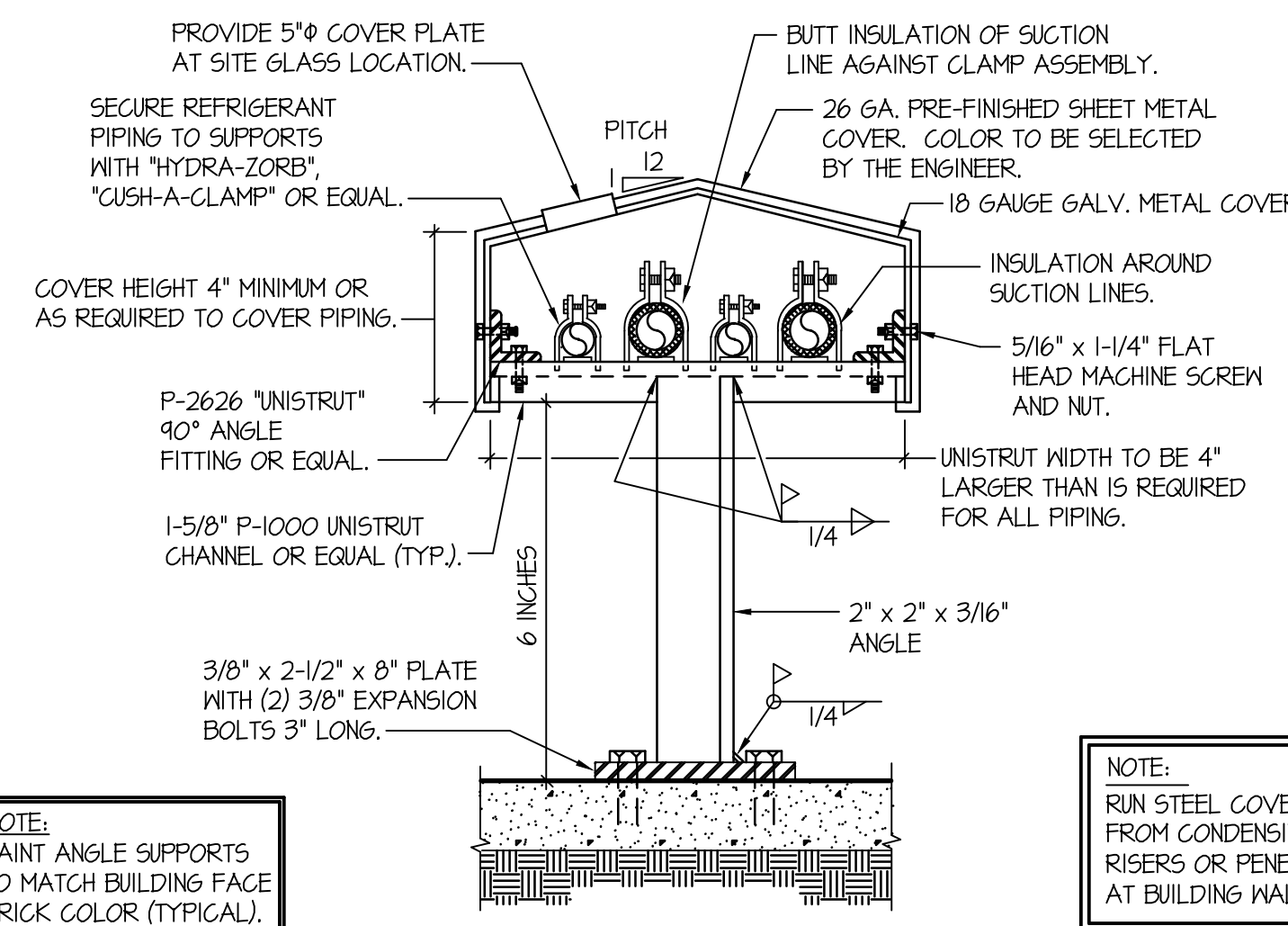
DUCT CONSTRUCTION AND HANGER DETAIL
NO SCALE



ENDS OF LINER SHALL BE BUTTED FIRMLY TOGETHER



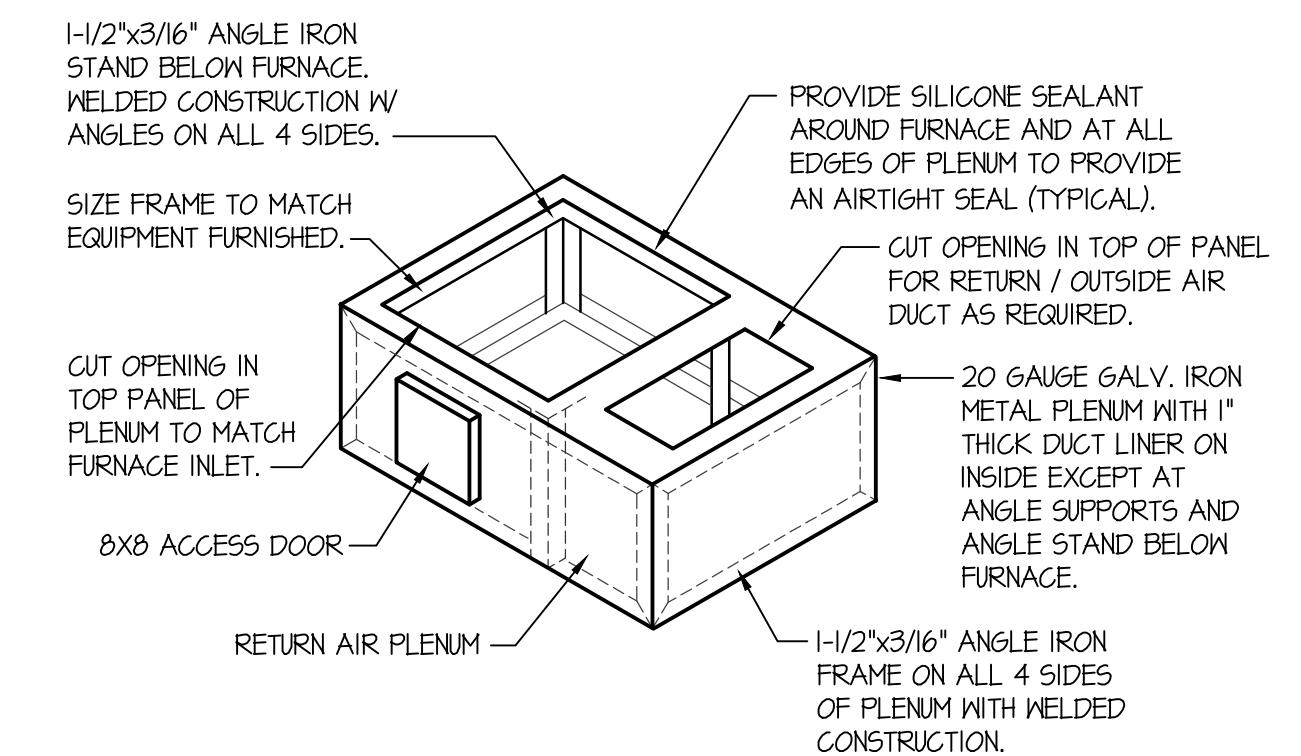
REFRIGERANT PIPING DIAGRAM
NO SCALE (5 TON AND SMALLER)



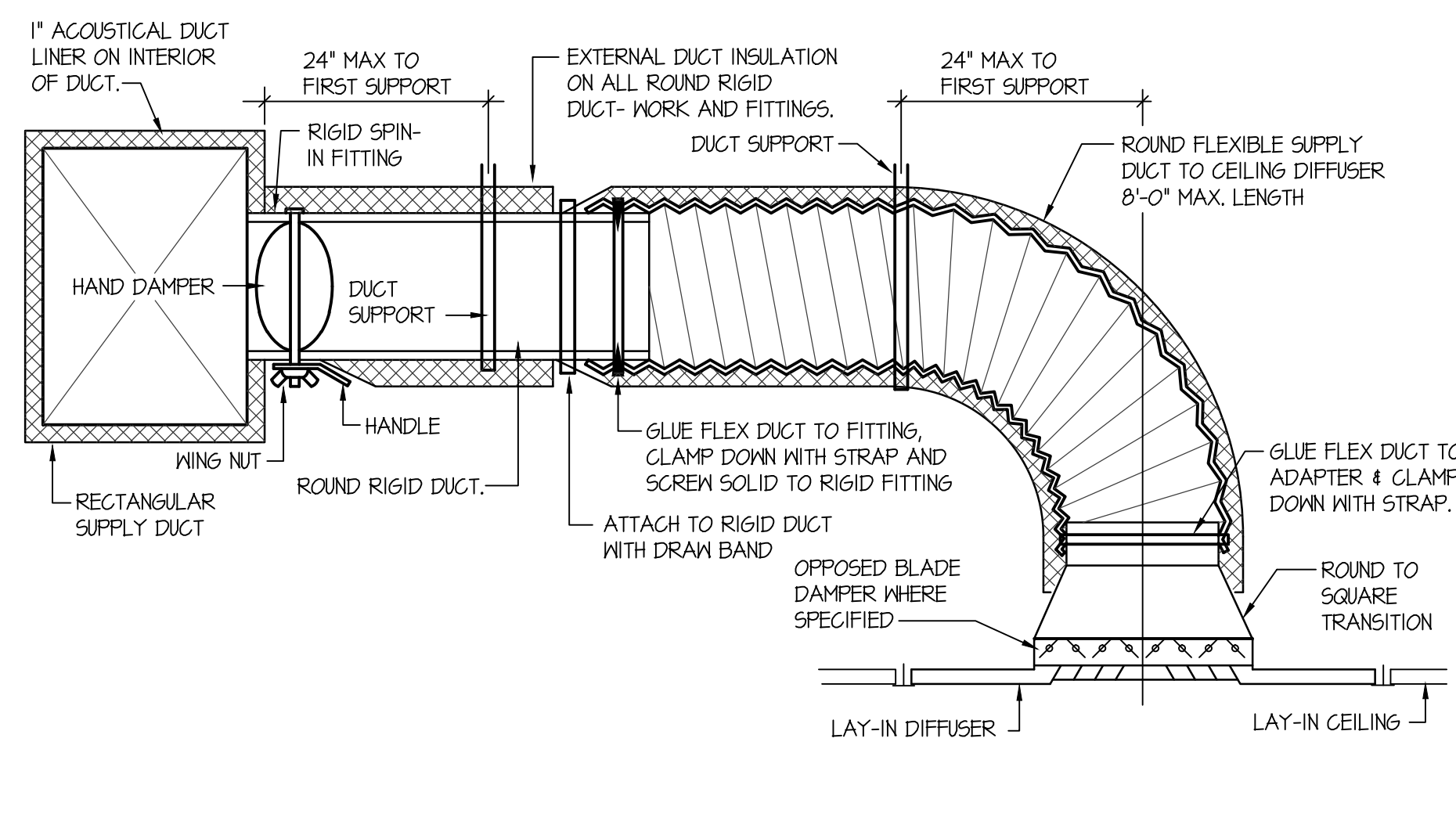
NOTE: PAINT ANGLE SUPPORTS TO MATCH BUILDING FACE BRICK COLOR (TYPICAL).

NOTE: RUN STEEL COVER CONTINUOUS FROM CONDENSING UNITS TO RISERS OR PENETRATIONS AT BUILDING WALL.

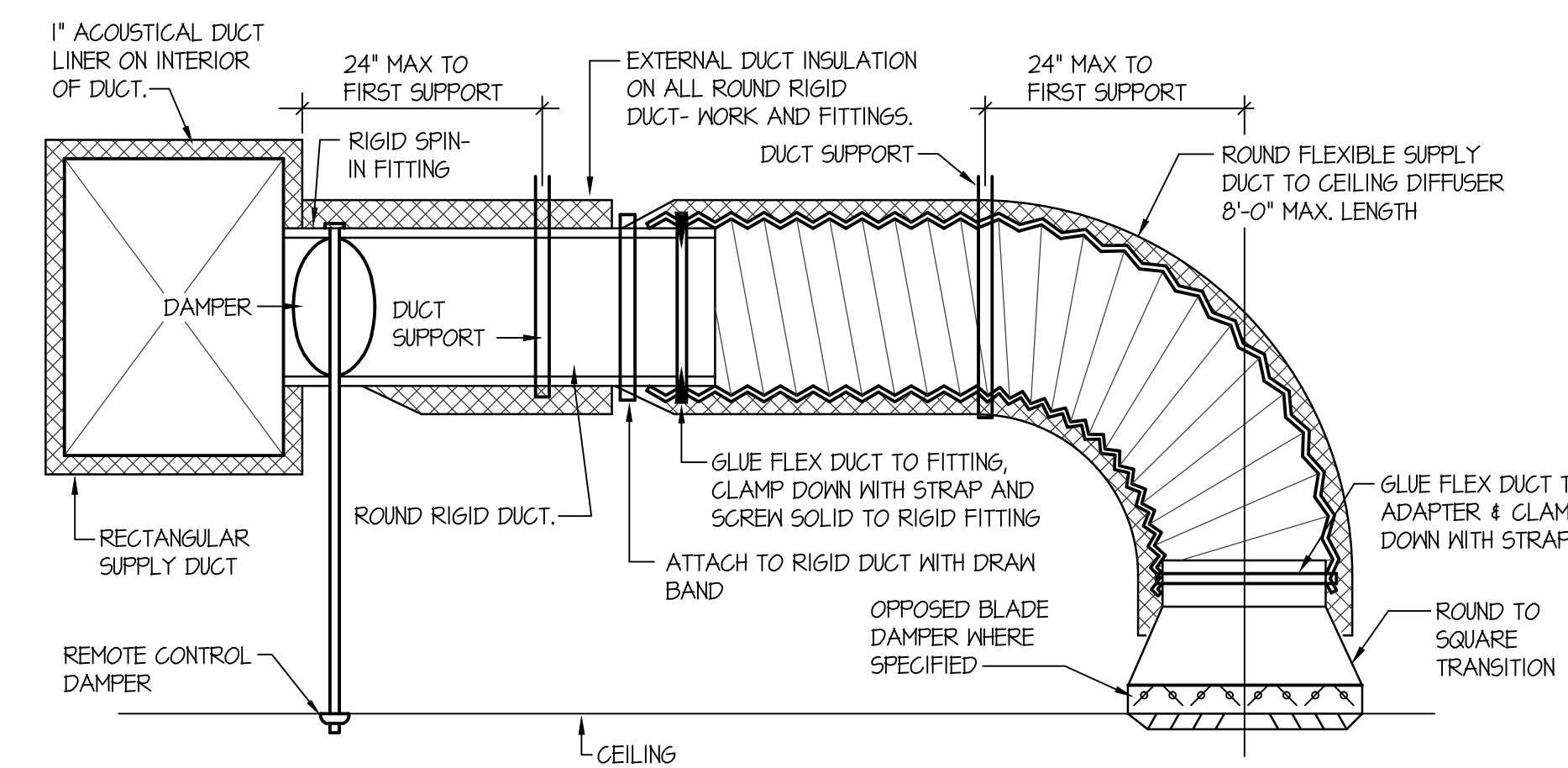
REFRIGERANT PIPE SUPPORT DETAIL
NO SCALE



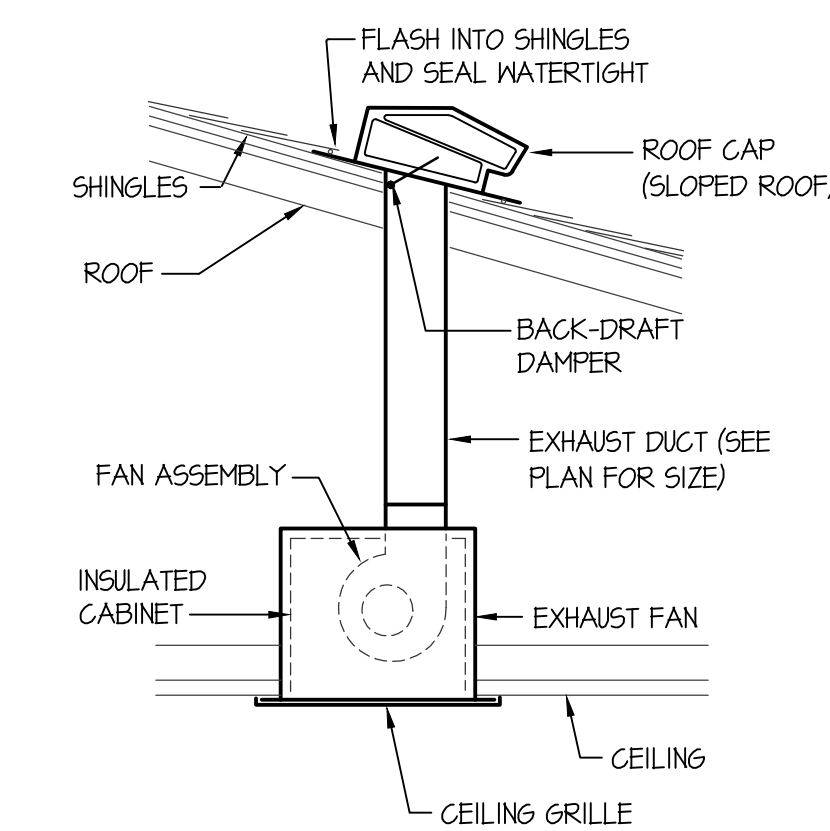
RETURN AIR PLENUM DETAIL
NO SCALE



CEILING DIFFUSER DETAIL WITH FLEXIBLE DUCT
NO SCALE



CEILING DIFFUSER DETAIL WITH FLEXIBLE DUCT
NO SCALE



CEILING MOUNTED EXHAUST FAN DETAIL
NO SCALE

OWAYNE C. SUWICKI REGISTERED PROFESSIONAL ENGINEER STATE OF COLORADO
Aug 03, 2018

ESA Engineered Systems Associates
1355 EAST CENTER
POCATELLO, IDAHO 83201
PHONE: (208) 233-0501
FAX: (208) 233-0529
EMAIL: eso@engsystems.com
ESA JOB NUMBER: 18039